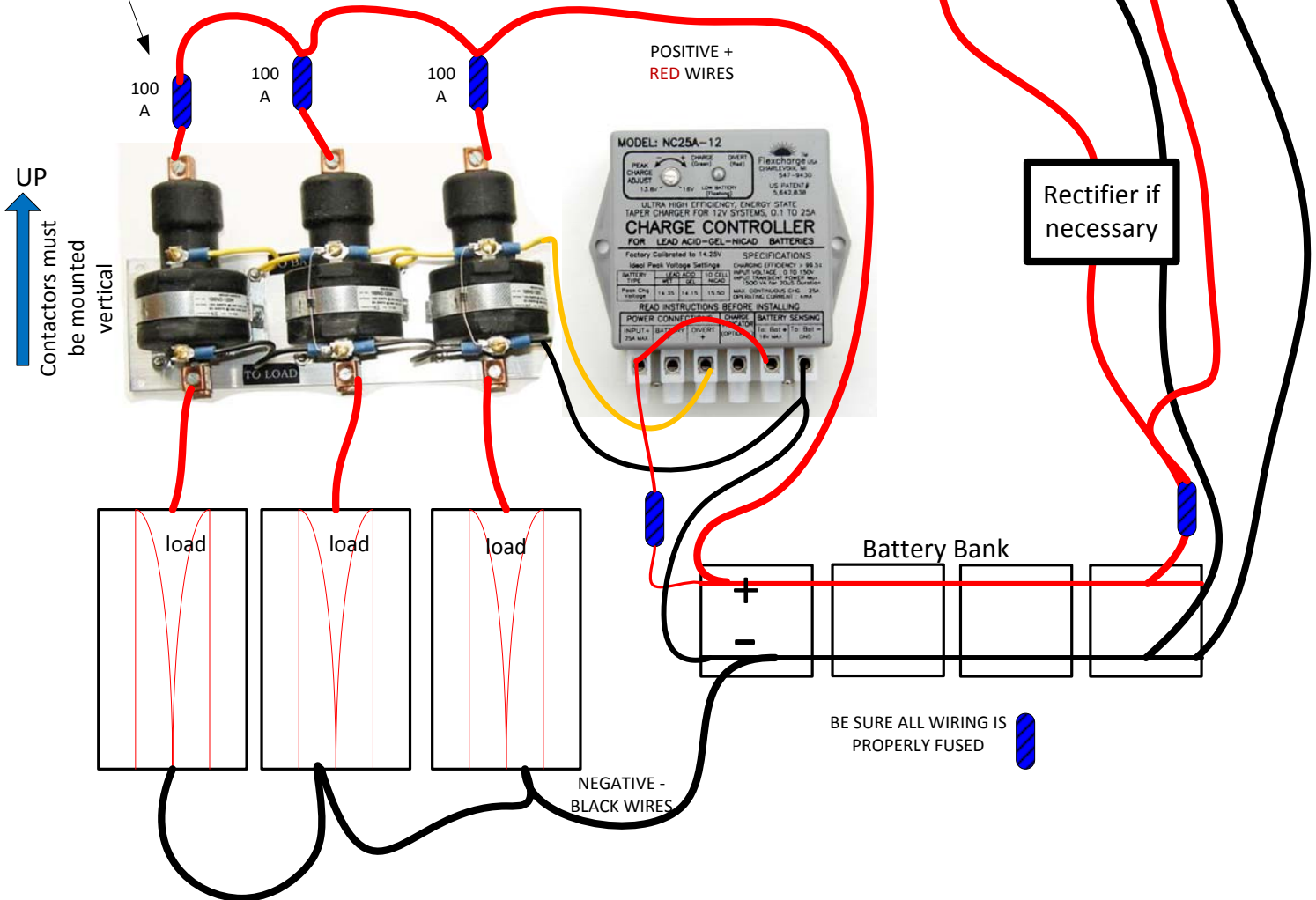


Using the *Flexcharge* NC25A as a dump load controller

The number of contactors will depend on the amount of dump load required. This drawing shows 100 amp contactors but can be a single or multiple contactors of 35, 60 or 100 amps. The load must not be larger than the contactor rating that shows on the label of the contactor.



The load bank of this controller configuration can generate a lot of heat. Be sure to mount the load bank in a ventilated and non-combustible area away from the batteries

Using the Flexcharge NC25A controller to switch a load bank to prevent overcharging of the batteries by dumping excess power to a load bank. The wind, hydro or solar system would always stay connected directly to the batteries. **The dump load capacity MUST be larger than the maximum total charging amperage of the wind and solar systems.**

When the battery voltage peaks at the set voltage the controller sends battery power to the dump loads until the battery voltage drops to the lower set voltage point. See our NCHC specs on our Web site for voltage specifications. www.flexcharge.com